

- FOR SETTING OUT REFER TO ARCHITECT'S DRAWINGS.
- THIS DRAWING TO BE READ IN CONJUNCTION WITH ALL OTHER ARCHITECTURAL AND ENGINEERING DRAWINGS AND ALL OTHER RELEVANT DRAWINGS AND SPECIFICATIONS.
- DO NOT SCALE THIS DRAWING. USE FIGURED DIMENSIONS ONLY.
- NO PART OF THIS DOCUMENT MAY BE REPRODUCED OR TRANSMITTED IN ANY FORM OR STORED IN ANY RETRIEVAL SYSTEM OF ANY NATURE WITHOUT THE WRITTEN PERMISSION OF O'CONNOR SUTTON CRONIN AS COPYRIGHT HOLDER EXCEPT AS AGREED FOR USE ON THE PROJECT FOR WHICH THE DOCUMENT WAS ORIGINALLY ISSUED.

**NOTE**

1. PILES TO BE CFA TYPE BORED CAST IN-SITU.
2. ALL PILES TO BE SOCKETED A MINIMUM 1m INTO COMPETENT BEDROCK.
3. PILE SAFE WORKING LOAD OF 1500KKN PER PILE

**PILE LEGEND**

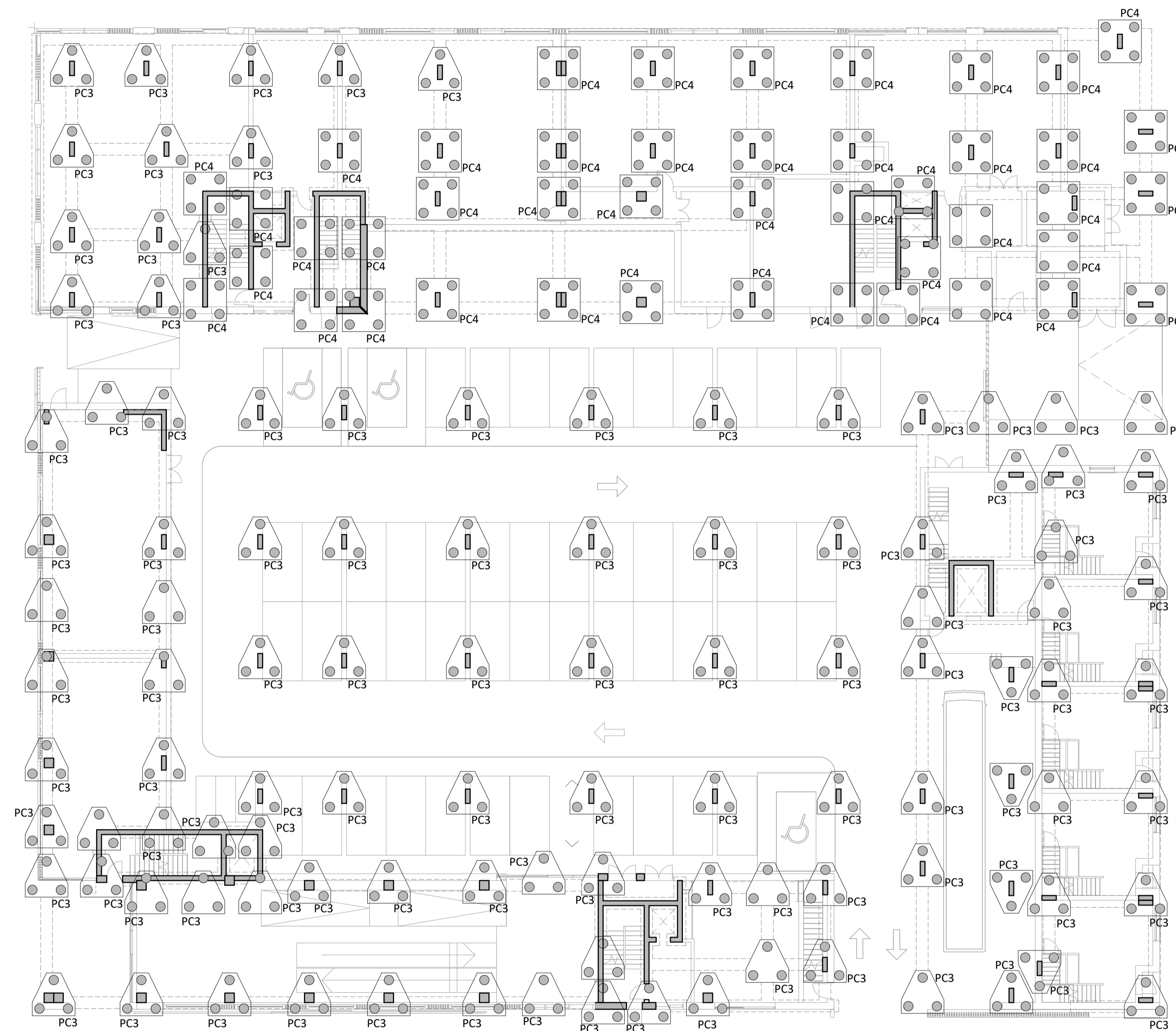
- PC1-PILECAP WITH 1NO. 600 DIAMETER PILE
- PC2-PILECAP WITH 2NO. 600 DIAMETER PILES
- PC3-PILECAP WITH 3NO. 600 DIAMETER PILES
- PC4-PILECAP WITH 4NO. 600 DIAMETER PILES

**BEAM LEGEND**

RC GROUND BEAM (UNLESS NOTED OTHERWISE)

**NOTE**

NOTE-DETAILS SHOWN ARE INDICATIVE FOR PLANNING PURPOSES AND SUBJECT TO CONFIRMATION AT DETAILED DESIGN STAGE

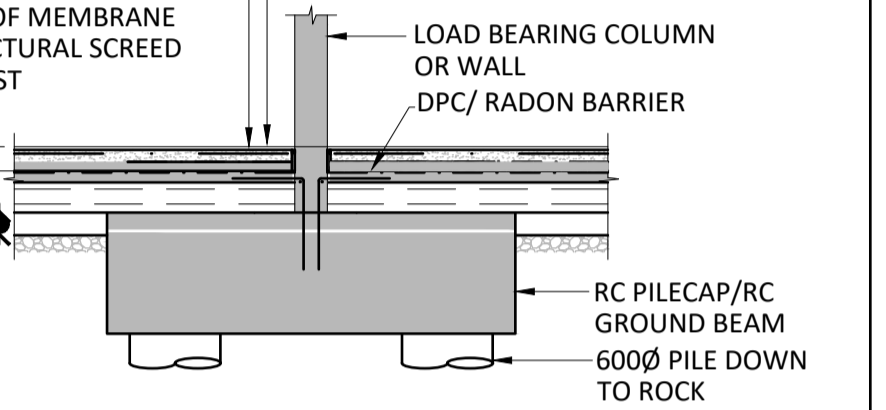


COMMERCIAL MIXED - USE  
SCALE: 1:50

FINISHES TO ARCH'S DETAIL

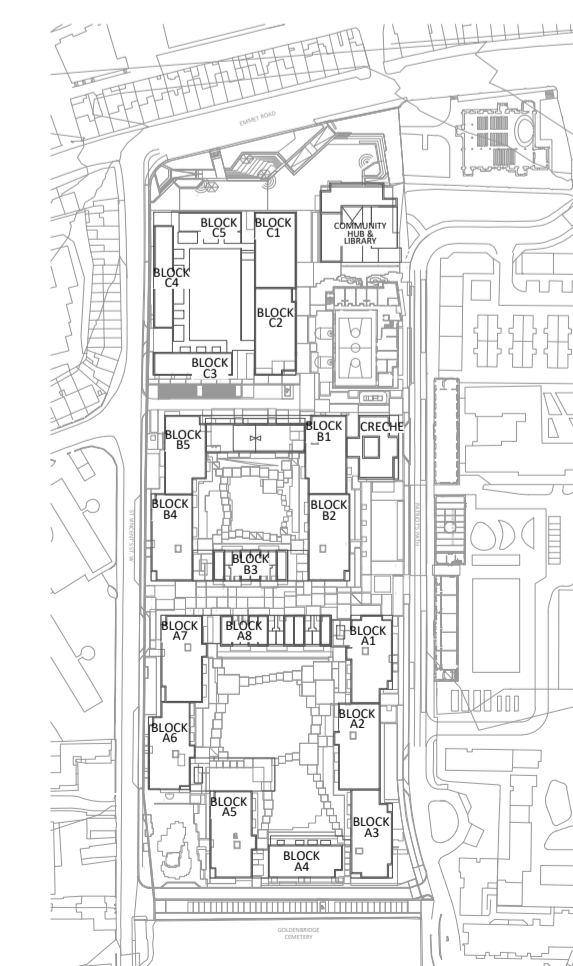
SCREED WITH A142 MESH ON 0.15mm THICK POLYETHENE FILM ON RIGID INSULATION TO ARCH'S DETAIL ON GAS PROOF MEMBRANE TO SPECIFICATION ON STRUCTURAL SCREED WITH A252 MESH ON PRECAST HOLLOWCORE UNIT

CLEAR VOID FOR PASSIVE VENTILATION



TYPICAL FOUNDATION DETAIL-FOR PC3 & PC4  
SCALE: 1:50

Rev No.	Date	Revision Note	Drn by
P01	19/09/22	SUITABLE FOR REVIEW/COMMENTS	NAT
P02	27/09/22	SUITABLE FOR STAGE APPROVAL: PLANNING	MMCF



KEYPLAN



Head Office,  
9 Prussia Street,  
Dublin 7,  
D07 KT57

TEL +353 (0)1 8682000  
e: [contactus@ocsc.ie](mailto:contactus@ocsc.ie)  
w: [www.ocsc.ie](http://www.ocsc.ie)



Dublin | London | Belfast | Galway | Cork | Birmingham

Client: Dublin City Council  
Project: Proposed Development at Emmet Road

Title: Foundation Layout  
Commercial Mixed-Use

Code	Originator	Zone	Level	Type	Role	Number	Status	Revision
B967	OCSC	XX	FN	DR	S	0004	S4	P02

Date: SEP'22 Scale:1:100 @ A1 Drn by:NAT Chkd by:IC Aprvd by:PH